



ELECTRONICS



08/03/2008

SAMSUNG ROTARY KOMPRESÖR 51.500 BTU



1. APPLICATION

H/P & Cooling Type Air conditioner
Rated Voltage & Frequency 380-420V 3Φ 50Hz
Refrigerant R-22

2. COMPRESSOR DATA

Pump Type Rolling Piston Type
Displacement 83.56 cc/rev
Oil Type NOC(ATMOS-NM56EP) & SUN OIL(Suniso-4GSD)
Initial Charged 1,700 cc
Net Weight(Included Oil) 34.5 kg
Painting Black
Suction Tube I.D 19.20 mm
Discharge Tube I.D 12.90 mm

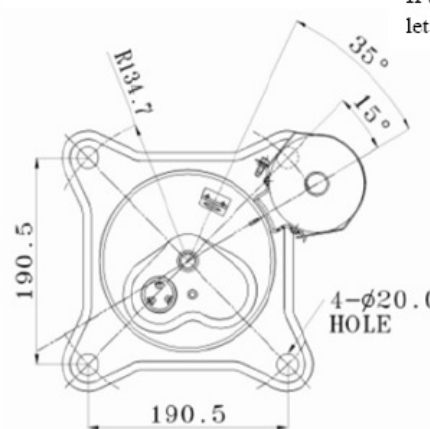
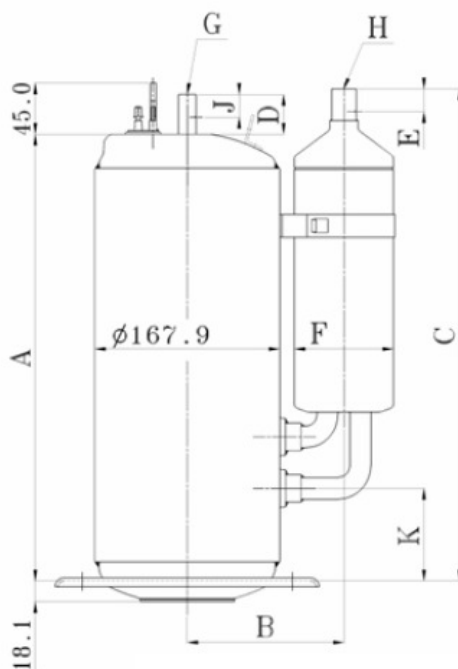
5. NOMINAL PERFORMANCE

Voltage (V)	380	Note
Cooling Capa. (Btu/h)	51,500(13,000 kcal/h)	-
Running Current (A)	8.5	-
Input (W)	4,725	-
EER (Btu/W.h)	10.9(2.75 kcal/Wh)	-
Noise (dBA)	69.0 ↓	Max of 4 point measurement at 90cm from surface
Vibration (µm)	40.0 ↓	Larger tangential vibration displacement at 90°& 180°points

RATING CONDITION

Condensing Temperature 54.4°C (130°F)
Evaporating Temperature 7.2°C (45°F)
Return Gas Temperature 35.0°C (95°F)
Liquid Temperature 46.1°C (115°F)
Ambient Temperature 35.0°C (95°F)
Compressor Cooling 1 m/s air cooling
* Return Gas Temp. for Noise & Vibration is 15.0°C (59°F)

Condensing temp (pressure)	28°C ~ 65°C	(10.50 ~ 26.51 kg/cm ² G)
Evaporating temp (pressure)	-25°C ~ +12.7°C	(1.02 ~ 6.50 kg/cm ² G)



☞ The foot angle is -15 degree from horizontal line that connecting compressor body center with accumulator center.

If there is need to more detailed dimension and change, let us know

UNIT: mm

MODEL NO.	DIMENSIONS							Accum (O.D) F	TUBE (I.D)	
	A	B(±3.0)	C	D	E	J	K		G(±0.15)	H(±0.15)
63T510BUAMV	392.8	142.2	432.6	35.0	15.0	15.0	81.5	90.0	12.90	19.20